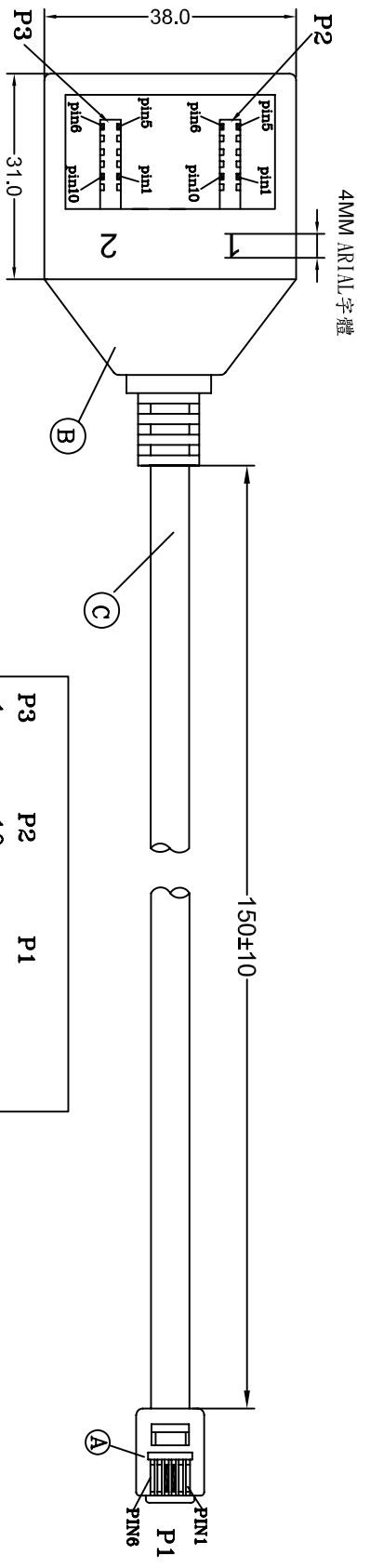
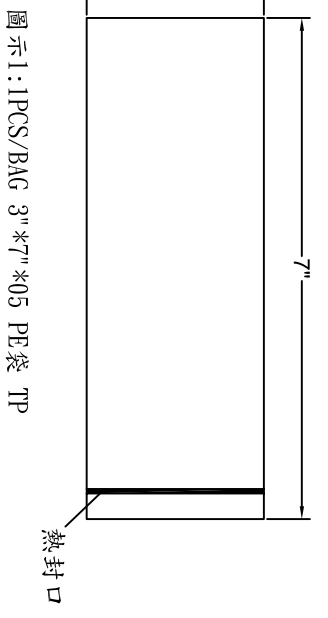
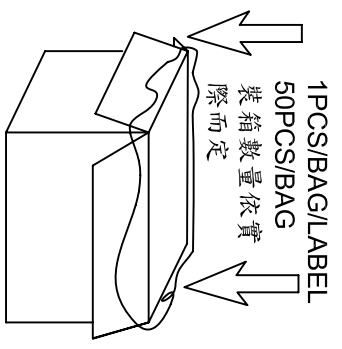


LW-R-06 A/0

REVISIONS		DATE	APPROVED
ZONE	REV	DESCRIPTION	DATE
A		Release	2011.03.08
			Gary



P3	P2	P1
1	10	3 RED
		5 GREEN
		4 GREEN
		6



圖示1: 1PCS/BAG 3"\*7"\*0.5 PE袋 TP

ITEM NO	ITEM	DESCRIPTION	VENDER	UNIT	QTY
C	CABLE	FLAT CABLE 2C 26AWG 7/0.16 UI 20251 PVC+PP OD:2.4*4.8±0.2MM BC BLACK (GREEN PART)		PCS	1
B	JACK	AUSTRIAN JACK ABS 94V-2 BLACK (GREEN PART)		PCS	1
A	PLUG	US PLUG 6P2C 3U"(GREEN PART)		PCS	1

General Tolerance		Customer Code		Title	
DIMENSION:	±1	301	E4341	AT016BB621L01/150MM	
X	±0.5	Drawing No	E4341	Customer P.N.	
X.X	±0.2	Publish NO.	D	Model No.	AT016
X.XX	±0.2	Sheet:	1 OF 2		
Cable length: ±2% ANGLE: ±5°		Approve By	Inspected By	Checked By	Drawn By
		Boson	Ann	Clubs	Jenny
		Date	2011.03.08	SCALE:	NONE
		Units:	mm		



ITEM NO	ITEM	DESCRIPTION	VENDER	UNIT	QTY
A	PLUG	US PLUG 6P2C 3U"(GREEN PART)		PCS	1
B	JACK	AUSTRIAN JACK ABS 94V-2 BLACK (GREEN PART)		PCS	1
C	CABLE	FLAT CABLE 2C 26AWG 7/0.16 UI 20251 PVC+PP OD:2.4*4.8±0.2MM BC BLACK (GREEN PART)		PCS	1