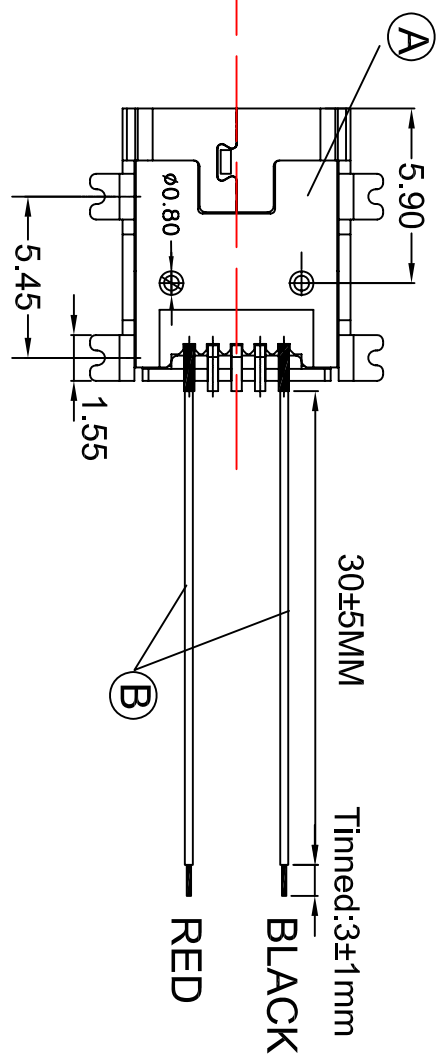
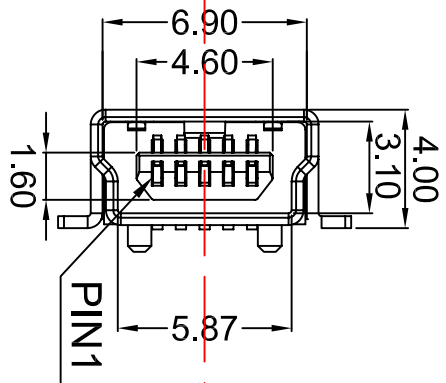
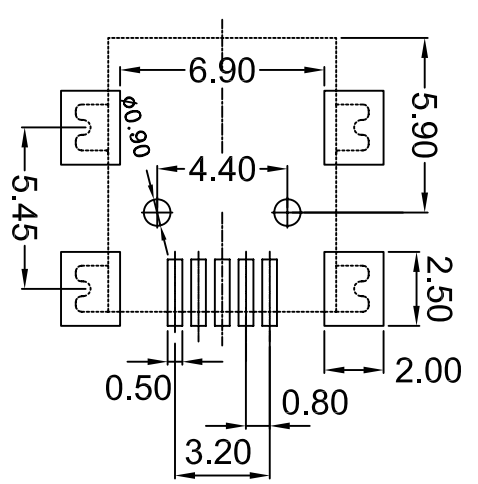


LW-R-06 A/0

REVISIONS			
ZONE/REV	DESCRIPTION	DATE	APPROVED
A	RELEASE	09.07.16	ANN



RECOMMENDED PCB LAYOUT

General Tolerance	Customer Code	001	<p><b>TLE TUNG-LI, ISO-9001</b> <b>E200633</b></p>
DIMENSION:	Drawing NO.	M10410	
X ±1	Publish NO.	A	Customer P.N.
X.X ±0.5	SHEET:	1 OF 1	MODEL NO.
X.XX ±0.2	TITLE:	UB103XXXXXXL0W/30MM	
Cable length: ±2% ANGLE: ±5°	Approve By	Inspected By	Checked By
			Drawn By
			DATE
			SCALE:
			Units:

ITEM NO	ITEM	DESCRIPTION	VENDER	UNIT	QTY
B	WIRE	UL#1015 WITH STANDING TEMPERATURE 105 °C 20AWG 35MM (GREEN PART)		PCS	2
A	USB	MINI USB 5F SMT (GREEN PART)		PCS	1

8	7	6	5	4	3	2	1
---	---	---	---	---	---	---	---