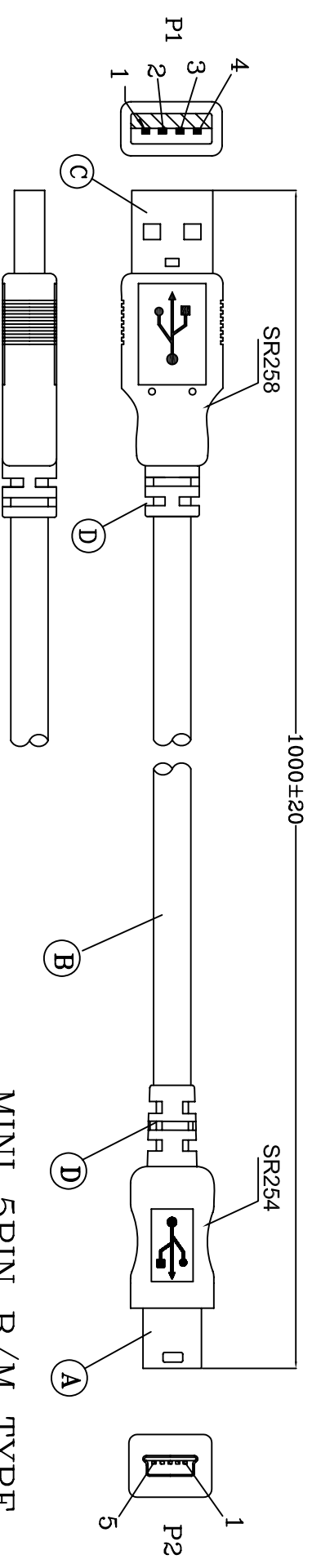
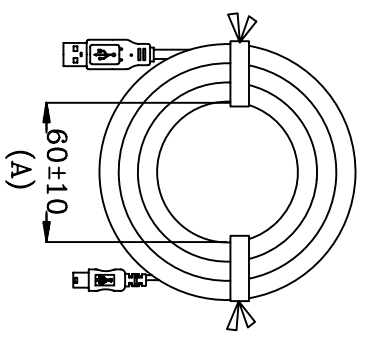


REVISONS		DATE	APPROVED
ZONE	REV	DESCRIPTION	
✓	A	RELEASE	2009-01-19

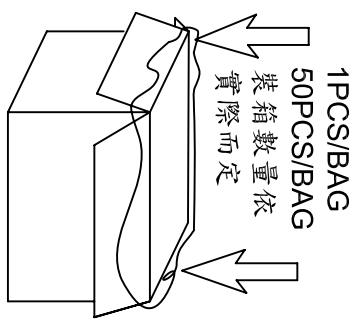


USB A/M TYPE

MINI 5PIN B/M TYPE



P1	P2
1	1 RED
2	2 WHITE
3	3 GREEN
4	5 BLACK
S	S



ITEM NO	ITEM	DESCRIPTION	VENDER	UNIT	QTY
D	SR	PVC 65P BLACK(GREEN PART)		PCS	2
C	A/M	USB A/M TYPE 4PIN GOLD PLATING 30U" REV:2.0(GREEN PART)		PCS	1
B	CABLE	ROUND CABLE 28AWG*1P+28AWG*2C AL+B(AL+MG)+D UL2725 OD:3.5±0.2MM BLACK REV:2.0(GREEN PART)	金泰	PCS	1
A	MINI B/M	USB MINI 5PIN B/M TYPE GOLD PLATING 30U" REV:2.0 (GREEN PART)		PCS	1

General Tolerance		Customer Code	
DIMENSION:		836	
X	±1	DRAWING NO.	M9736
X X	±0.5	Publish NO.	A
X.XX	±0.2	SHEET:	1 OF 1
Cable length:±2% ANGLE:±5°		Customer P. N.	UB052
TITILE.		MODEL NO.	UB052
Approve By	Inspected By	Checked By	Drawn By
			Clubs
DATE		DATE	
2009.01.19		2009.01.19	
SCALE: NONE		Units: mm	

TLE TUNG-LI, ISO-9001 E200633