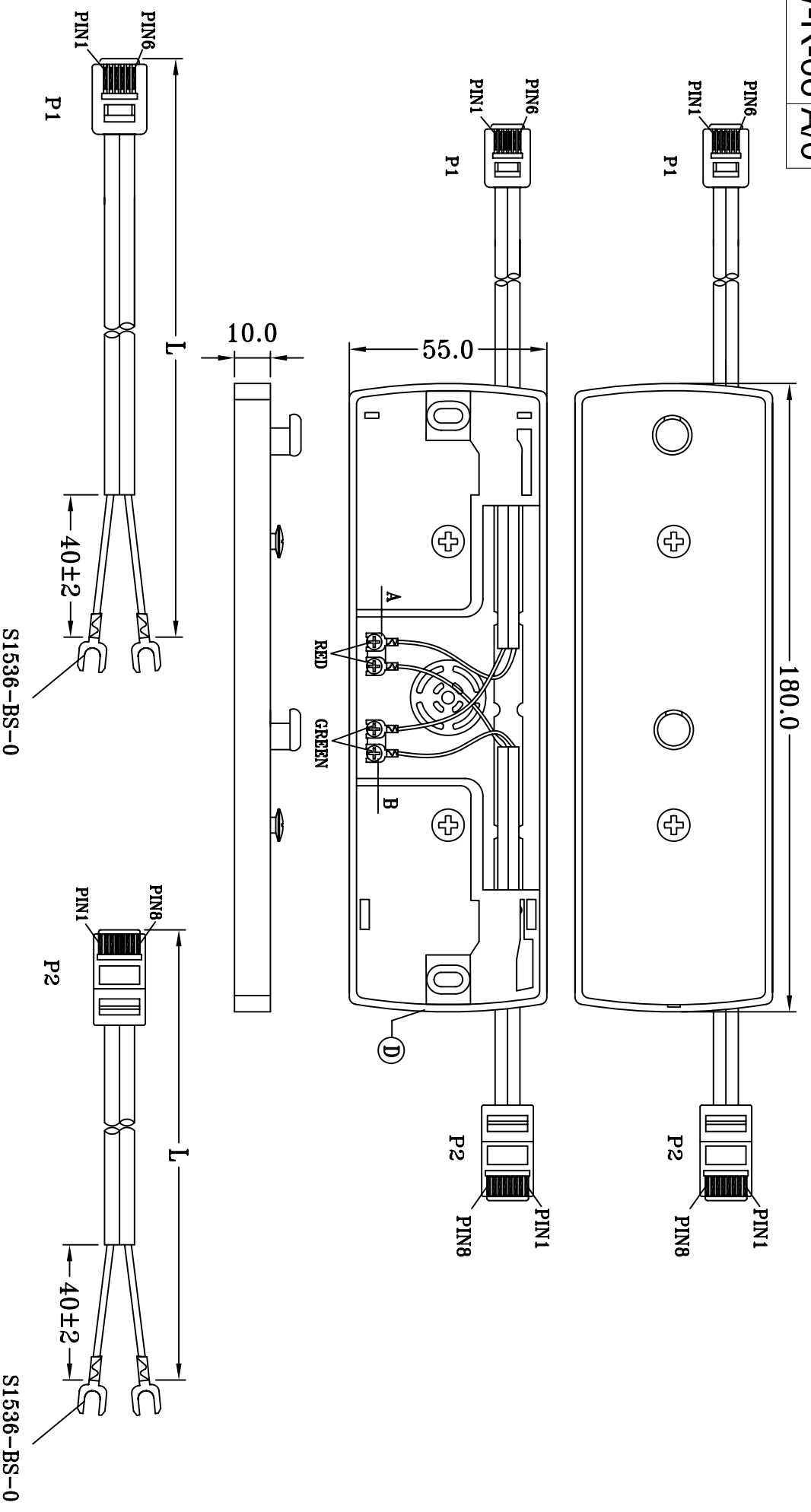


LW-R-06 A/0



NOTE:
 1. The circuit is only a general way in this drawing, can revise the circuit on the basis of the customer's need.
 2. This product can be done for many kinds of colors according to the needs of customer.
 3. "L" shows that takes the length of cable, can change according to customer's enquiry.

DRAW	UNIT
INSPECTED	CUS.PART NO.
APPROVED	CUSTOMER
TITLE	US015ACXD1NOV/A30/15
DRAWING NO.	E0417
REV	A

TOLERANCE GENERALES				
PLASTIC DIMENSION	X	X.X	X.XX	CABLE LENGTH
tolerance(±)	1	0.5	0.20	tolerance(±)
				2%

MM	ECN NO.
	NO.
	DATE
	SI064

TLE TUNG-LI CO., ISO-9001
E200633