

LAN TESTER

Materials:

Plastic Front : Fireproof ABS UL-94V0
 Plastic Back : Fireproof ABS UL-94V0
 RJ-45 Jack : STP 8P8C 50 micro inches gold plated
 PCB : FR-4 / 1.6mm UL-94V0
 leather bag : PVC

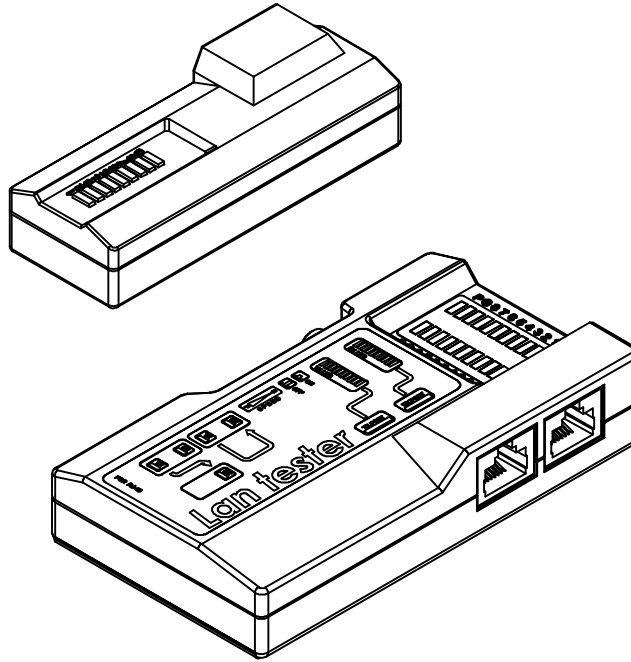
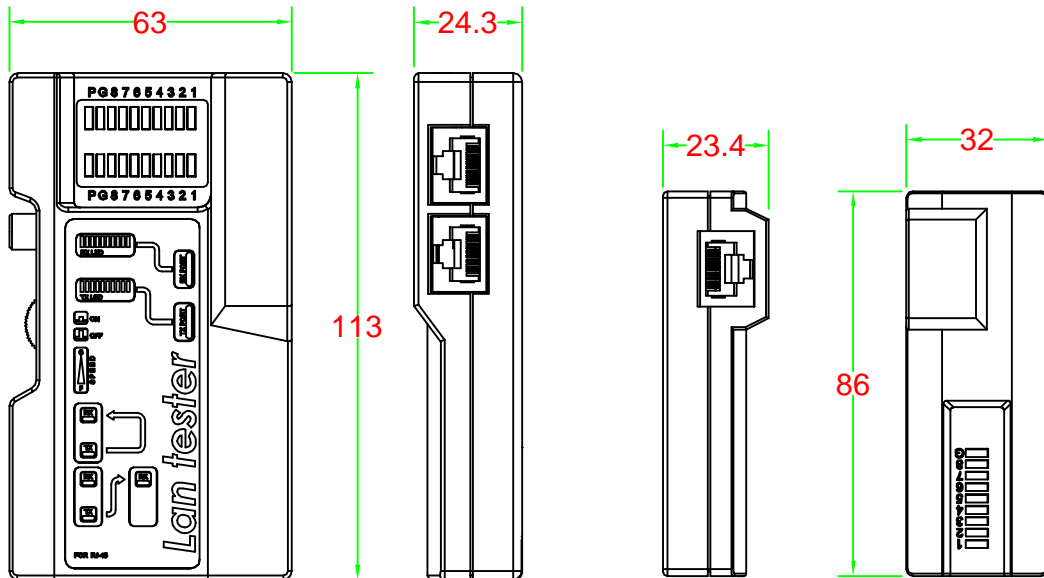
Electrical Specifications:

Insulation Resistance : 500M ohms (min.)
 Contact Resistance : 20m ohms (max.)
 Current Rating : 1.5 Amps .
 DC Resistance : 0.1 ohm (max.)
 Withstanding Voltage : 1000 VAC RMS @ 60Hz / 1 min.

Mechanical Specifications:

RJ-45 Jack Insertion Cycle : Over 2000 Cycles (min.)
 Operation Temperature : -40 ~ +70 degree / C

Dimensions:

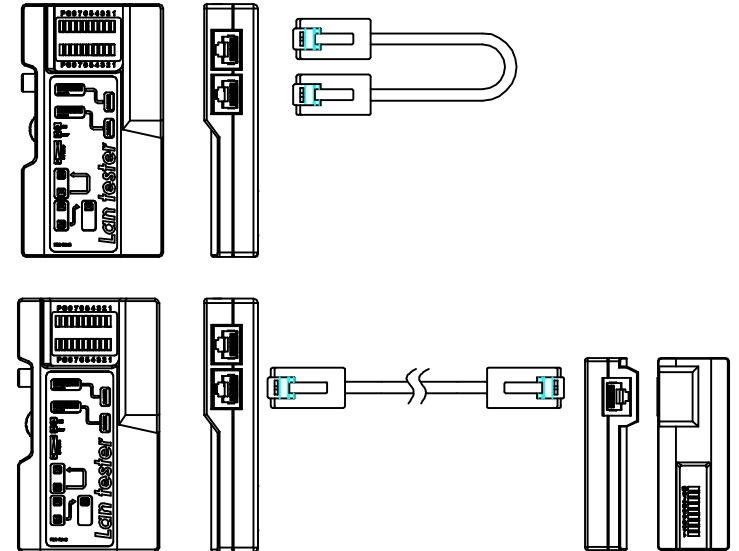


CABLE TESTER

Test RJ-45 (8P8C) UTP,STP Cable
 Two-piece design within one retail box
 Master unit provides patch cord function test
 Maximum testing length up to 1000 ft
 Power : DC-9V / 12.8 mA

Don't Use For Living Circuit

Operation :



DRAW NO:		ITEM NO:	LT-200
	APPR	CUSTOMER:	
UNIT:	m/m	DATE:	
SCALE:	DESIGN	TOLERANCE:	· ± 1 · X ± 0.2 · XX ± 0.15

TUNG-LI ELECTRONIC ENTERPRISE CO.,LTD.