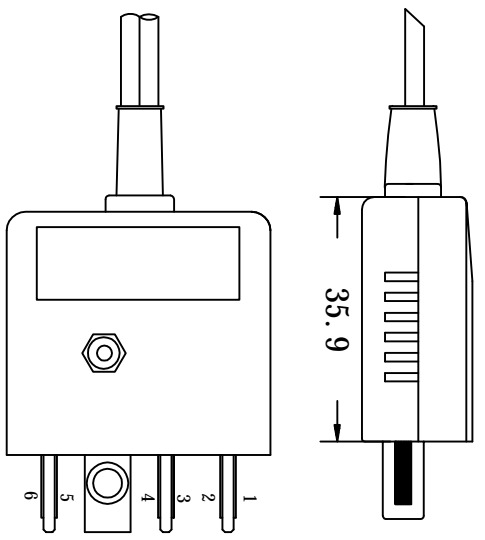


P1	P2
3	2 RED
4	6 GREEN



Note:

1. The circuit is only a general way in this drawing, can revise the circuit on the basis of the customer's need.
2. This product can be done for many kinds of colors according to the needs of customer.
3. " L " shows that takes the length of cable, can change according to customer's enquiry.

DRAW	UNIT
INSPECTED	CUS. PART NO.
APPROVED	CUSTOMER
TITLE	AU009BB62INQH/18M
DRAWING NO.	M3250
REV	A

TOLERANCE GENERALES				
PLASTC DIMENS DN tolerance(°)	X	XX	XXX	CABLE LENGTH tolerance(°)
	1	0.5	0.20	2%

MM	ECN. NO	NO.	AU009
DATE			
TLE TUNG-LI CO., ISO-9001 E200633			