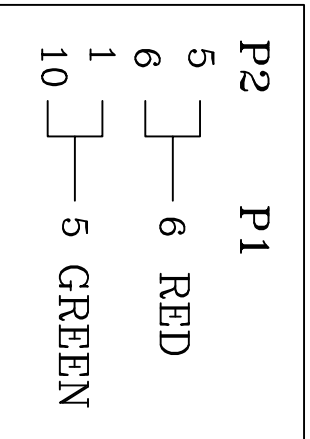


Note:

1. The circuit is only a general way in this drawing, can revise the circuit on the basis of the customer's need.
2. This product can be done for many kinds of colors according to the needs of customer.
3. " L " shows that takes the length of cable, can change according to customer's enquiry.



TOLERANCE GENERALES					
PLASTIC DIMENSION	X	X.X	X.XX	CABLE LENGTH	X
tolerance(±)	1	0.5	0.20	tolerance(±)	2%

DRAW	UNIT	MM	ECN.NO	AT011
INSPECTED	CUS.PART NO.		NO.	
APPROVED	CUSTOMER		DATE	
TITLE	AT011BCXX1NXV/150			
DRAWING NO.	M5077	REV	A	

TLE TUNG-LI CO., ISO-9001 B200633