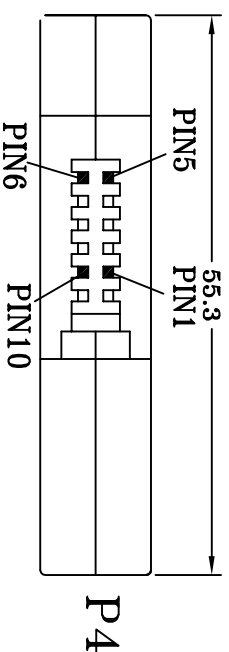
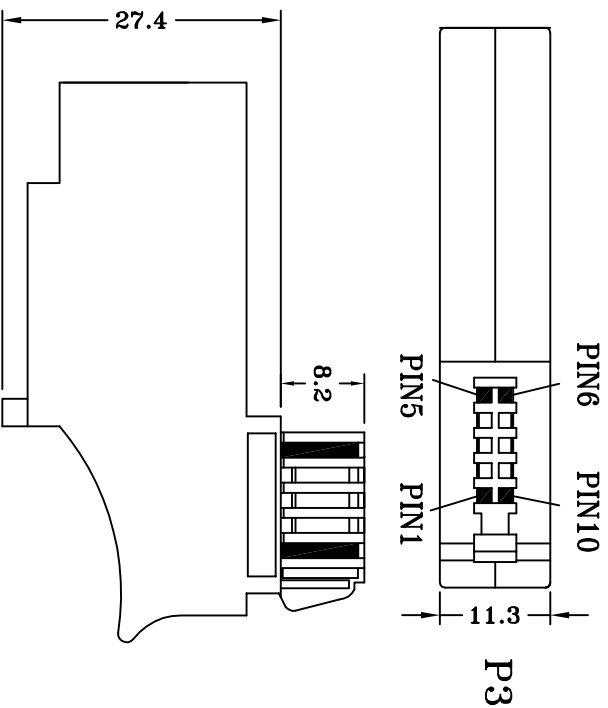
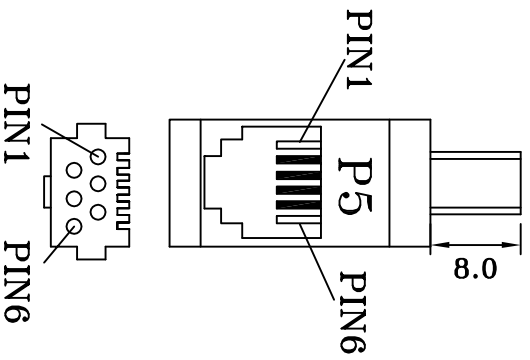


P3	P4	P5	
6	6	2	YELLOW
1	1	3	GREEN
5	5	4	RED
10	10	5	BLACK



Note:

1. The circuit is only a general way in this drawing, can revise the circuit on the basis of the customer's need.
2. This product can be done for many kinds of colors according to the needs of customer.
3. " L " shows that takes the length of cable, can change according to customer's enquiry.

DRAW	UNIT
INSPECTED	CUS.PART NO.
APPROVED	CUSTOMER
TITLE	AT005BX643UXW
DRAWING NO.	M6601 REV

TOLERANCE GENERALES					
PLASTIC DIMENSION	X	X.X	X.XX	CABLE LENGTH	X
tolerance(±)	1	0.5	0.20	tolerance(±)	2%
MM				ECN.NO.	

NO.	AT005
DATE	

TLE TUNG-LI CO., ISO-9001
#200633