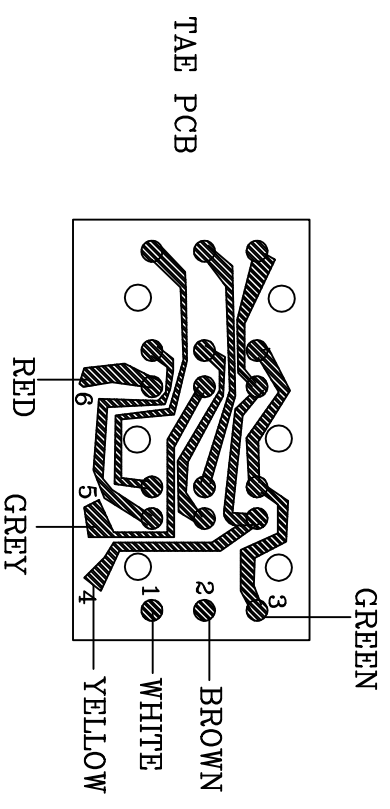
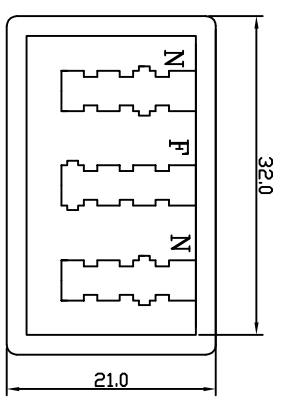
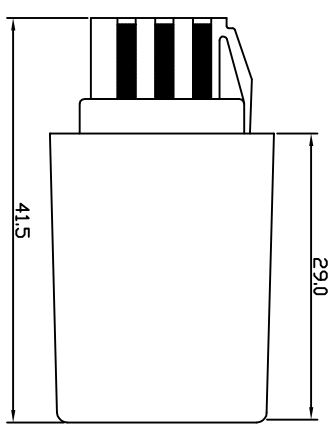


TAE PLUG



TAE PCB

TAE PLUG	
1	WHITE
2	BROWN
3	GREEN
4	YELLOW
5	GREY
6	RED

Note:

1. The circuit is only a general way in this drawing, can revise the circuit on the basis of the customer's need.
2. This product can be done for many kinds of colors according to the needs of customer.

TOLERANCE GENERALES					
PLASTIC DIMENSION	X	X.X	X.XX	CABLE LENGTH	X
tolerance(±)	1	0.5	0.20	tolerance(±)	2%

DRAW	UNIT	MM	ECN,ND	---
APPROVED	CUS.PART NO.		ND	GM051
INSPECTED	CUSTOMER		DATE	
TITLE	GM051VX661NXH/NFN			
DRAWING NO.	M2089	REV	A	

TLE TUNG-LI CO., ISO-9001 E200633