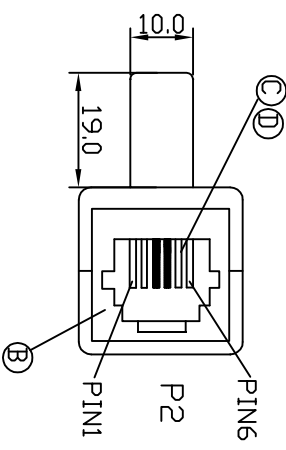
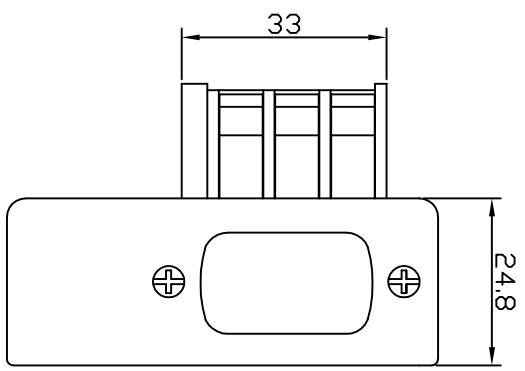


FRENCH PLUG
(P1)

P1	P2
1 ——— 3 RED	
3 ——— 4 GREEN	



- Note:
1. The circuit is only a general way in this drawing, can revise the circuit on the basis of the customer's need.
 2. This product can be done for many kinds of colors according to the needs of customer.

DRAW	INSPECTED	APPROVED	TITLE	DRAWING NO.	UNIT	CUS.PART NO.	CUSTOMER	REV	A
			FR017BX621NXH/55	E2627					

TOLERANCE GENERALES				
PLASTIC DIMENSION	MM	ECN.NO.	NO.	CABLE LENGTH
tolerance(±)	1	0.5	0.20	tolerance(±)
	X	X.X	X.XX	X

TLE TUNG-LI CO., ISO-9001 B200633