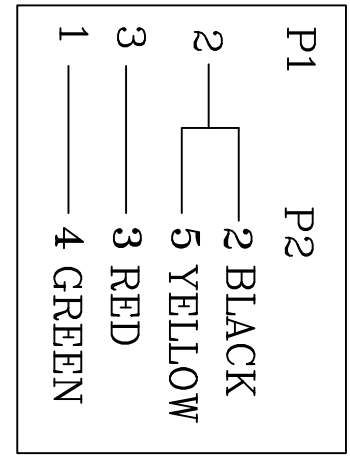
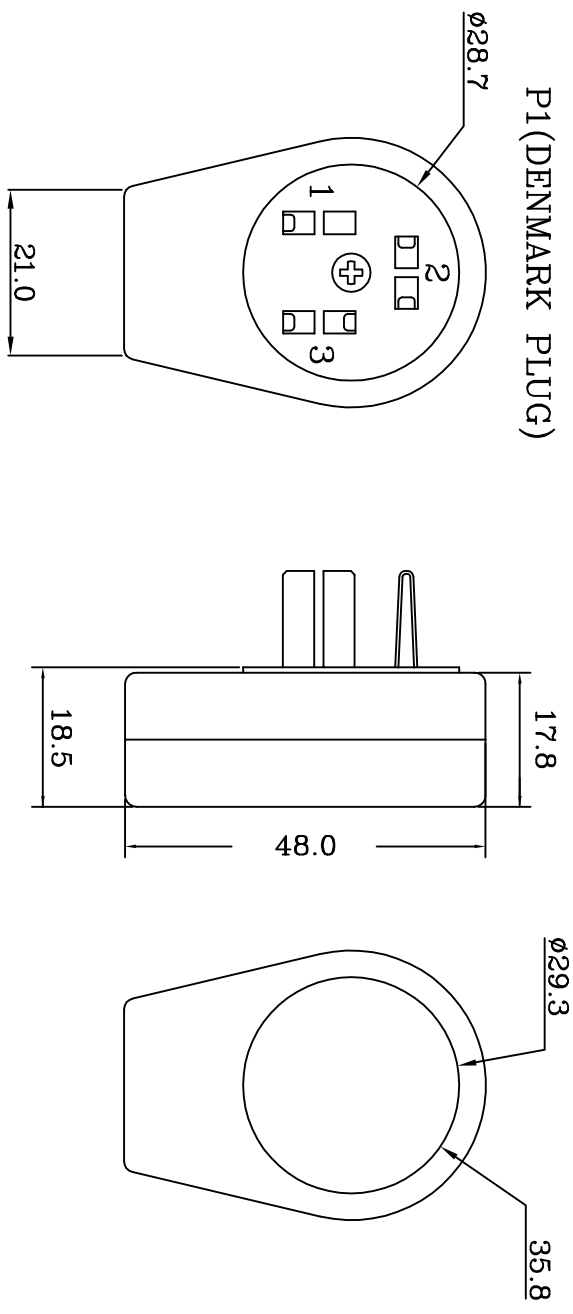
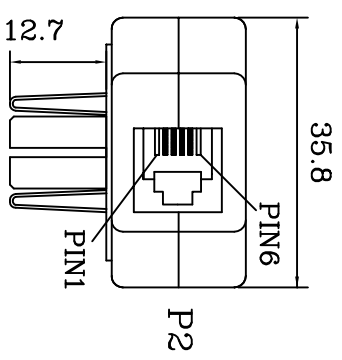


P1 (DENMARK PLUG)



**Note:**  
 1. The circuit is only a general way in this drawing, can revise the circuit on the basis of the customer's need.  
 2. This product can be done for many kinds of colors according to the needs of customer.



DRAW	UNIT	MM	ECN. NO.	
INSPECTED	CUS. PART NO.		NO.	
APPROVED	CUSTOMER		DATE	02/06/21
TITLE	DM004			
DRAWING NO.	S0174	REV	A	

TOLERANCE GENERALES				
PLASTIC DIMENSION	X	X.X	X.XX	CABLE LENGTH
tolerance (+)	1	0.5	0.20	tolerance (+) 2%

**TLE TUNG-LI CO.,** ISO-9001  
 #200633