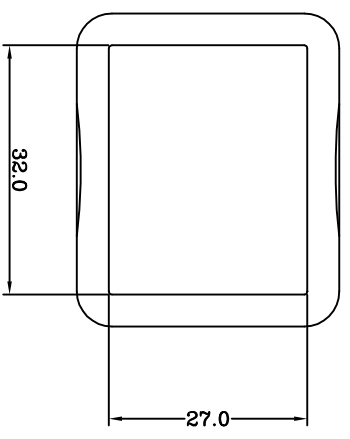
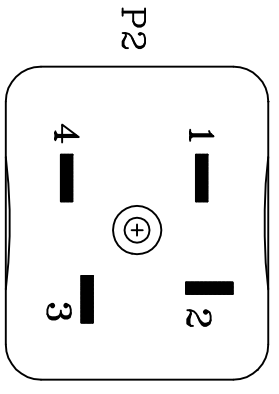


P1	P2
2	1 BLACK
3	2 RED
4	3 GREEN
5	4 YELLOW



Note:

1. The circuit is only a general way in this drawing, can revise the circuit on the basis of the customer's need.
2. This product can be done for many kinds of colors according to the needs of customer.

DRAW	UNIT
INSPECTED	CUS.PART NO.
APPROVED	CUSTOMER
TITLE	BR006
DRAWING NO.	M4928
REV	

TOLERANCE GENERALES					
PLASTIC DIMENSION	X	X.X	X.XX	CABLE LENGTH	X
tolerance (+)	1	0.5	0.20	tolerance (+)	2%

TLE TUNG-LI CO., ISO-9001
#200633