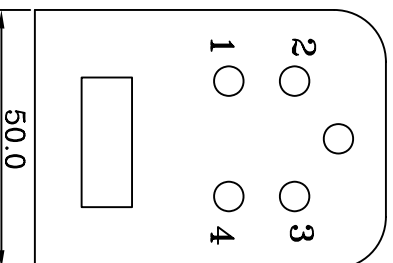
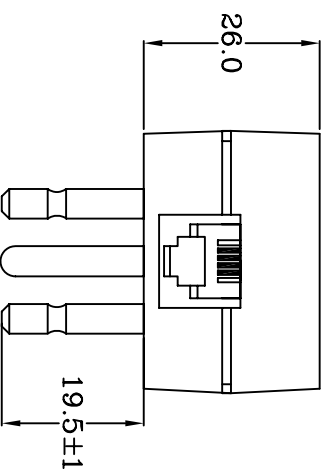
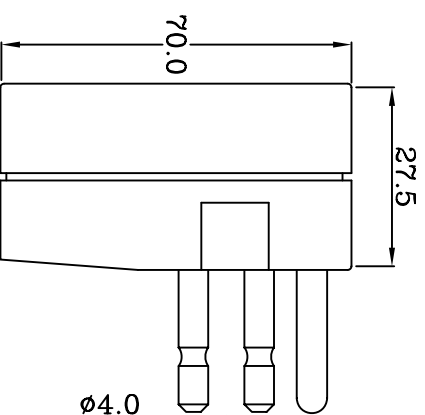
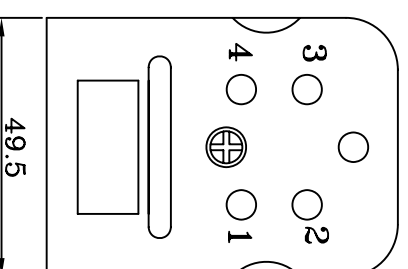


(BELGIUM SOCKET)



(BELGIUM PLUG)



Note:

1. The circuit is only a general way in this drawing, can revise the circuit on the basis of the customer's need.
2. This product can be done for many kinds of colors according to the needs of customer.
3. " L " shows that takes the length of cable, can change according to customer's enquiry.

TOLERANCE GENERALES					
PLASTIC DIMENSION	X	X.X	X.XX	CABLE LENGTH	X
tolerance(±)	1	0.5	0.20	tolerance(±)	2%

DRAW	UNIT	CUS.PART NO.	NO.	SL010
INSPECTED		CUSTOMER	DATE	
APPROVED				
TITLE	BG018	REV	A	
DRAWING NO.				

TTE TUNG-LI CO., ISO-9001, B200633