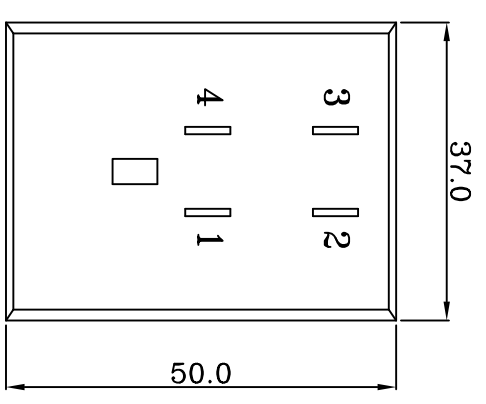
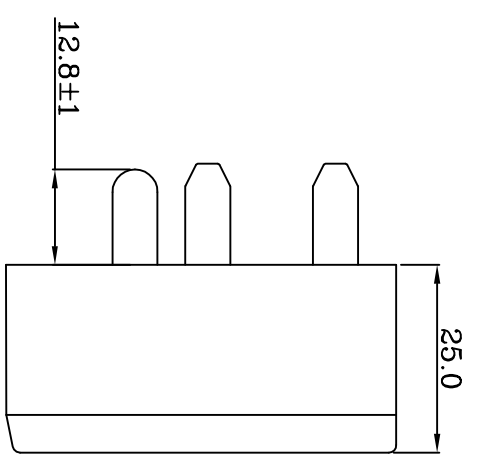
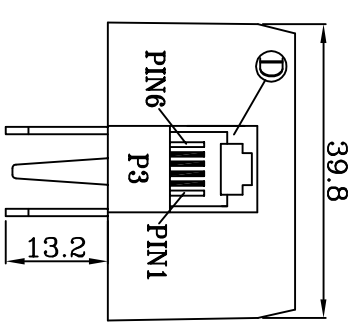


P1(POLISH PLUG)



P2(POLISH SOCKET)

P1	P2	P3
4	4	2
1	1	3
2	2	4
3	3	5
		BLACK
		RED
		GREEN
		YELLOW



- Note:**
1. The circuit is only a general way in this drawing, can revise the circuit on the basis of the customer's need.
 2. This product can be done for many kinds of colors according to the needs of customer.

DRAW	UNIT
INSPECTED	CUS.PART NO.
APPROVED	CUSTOMER
TITLE	PL004WX641UXV
DRAWING NO.	M5008 REV B

TOLERANCE GENERALES			
PLASTIC DIMENSION	X	X.X	X.XX
tolerance(±)	1	0.5	0.20
CABLE LENGTH	X		
tolerance(±)	2%		

MM	ECN.NO.	NO.	PL004
DATE	06-06-12		

TLE TUNG-LI CO., ISO-9001 #200633