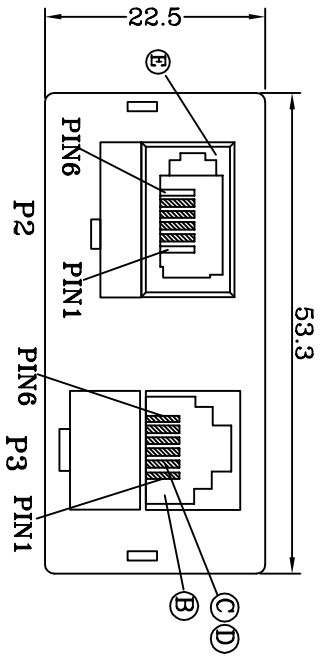
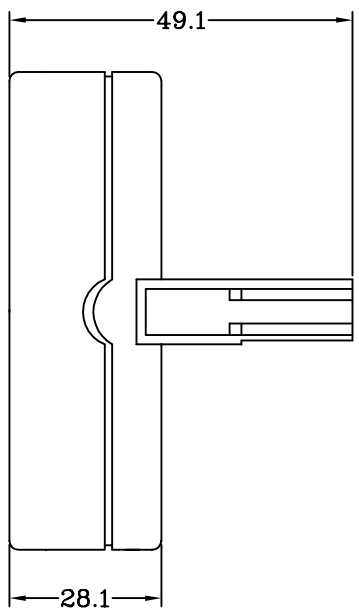


P1 PLUG	P2 SOCKET	P3 US JACK
2	2	3
5	5	4
3	3	NC
4	4	NC
		RED
		GREEN



- Note:
1. The circuit is only a general way in this drawing, can revise the circuit on the basis of the customer's need.
 2. This product can be done for many kinds of colors according to the needs of customer.

DRAW	UNIT
INSPECTED	CUS.PART NO.
APPROVED	CUSTOMER
TITLE	UK007WX6X1NOA/RAL
DRAWING NO.	M5068 REV A

TOLERANCE GENERALES				
PLASTIC DIMENSION	X	X.X	X.XX	CABLE LENGTH
tolerance(±)	1	0.5	0.20	tolerance(±)
MM				2%

NO.	ECN. NO.	UK007
DATE		

TLE TUNG-LI CO., ISO-9001
B200633