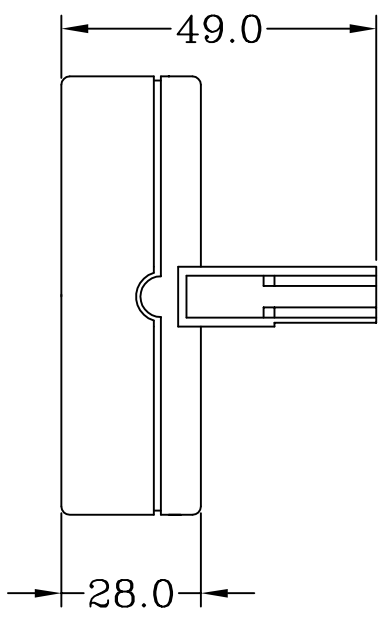
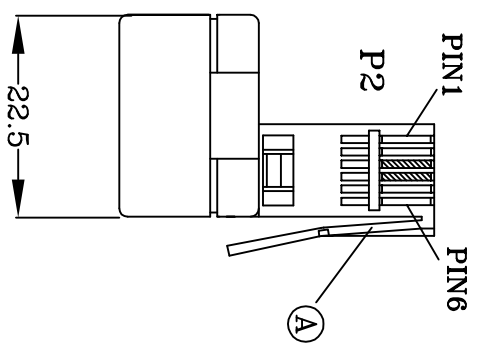
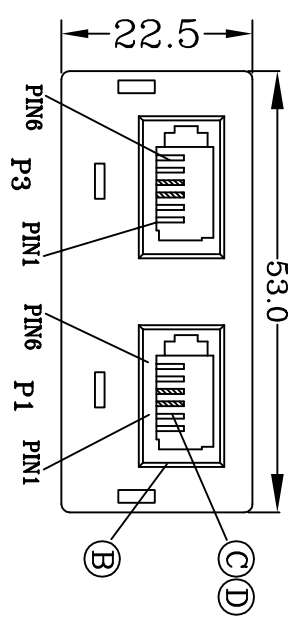


LW-R-06 A/2



P1	P2	P3
3	3	3
4	4	4
		RED
		GREEN



Note:  
 1. The circuit is only a general way in this drawing, can revise the circuit on the basis of the customer's need.  
 2. This product can be done for many kinds of colors according to the needs of customer.

DRAW	UNIT
INSPECTED	CUS.PART NO.
APPROVED	CUSTOMER
TITLE	UK002WXX62INXF
DRAWING NO.	M0549 REV A

TOLERANCE GENERALES				
PLASTIC DIMENSION	X	X.X	X.XX	CABLE LENGTH
tolerance(±)	1	0.5	0.20	tolerance(±)
				2%

MM	ECN.NO.	NO.	UK002
DATE			

**TLE TUNG-LI CO.,** ISO-9001 #200833