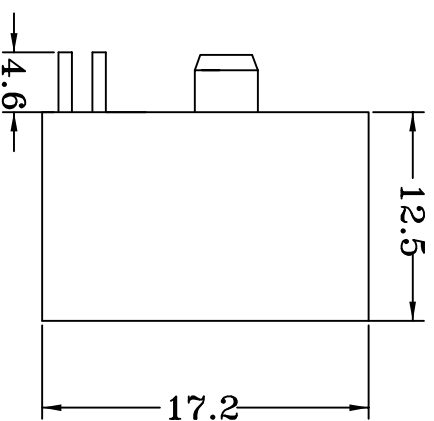
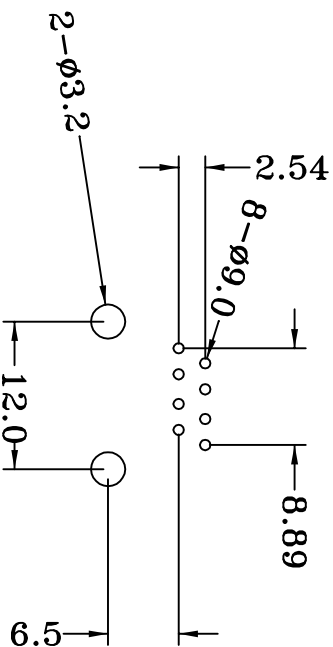


PCB LAYOUT/TOP VIEW



Note:

1. The circuit is only a general way in this drawing, can revise the circuit on the basis of the customer's need.
2. This product can be done for many kinds of colors according to the needs of customer.
3. " L " shows that takes the length of cable, can change according to customer's enquiry.

DRAW	UNIT
INSPECTED	CUS.PART NO.
APPROVED	CUSTOMER
TITLE	TL321BX181NXY
DRAWING NO.	M0521 REV A

TOLERANCE GENERALES				
PLASTIC DIMENSION	X	X.X	X.XX	CABLE LENGTH
tolerance(±)	1	0.5	0.20	tolerance(±) 2%
MM		ECN.NO.	NO.	TL321
			DATE	

TLE TUNG-LI CO., ISO-9001
#200633