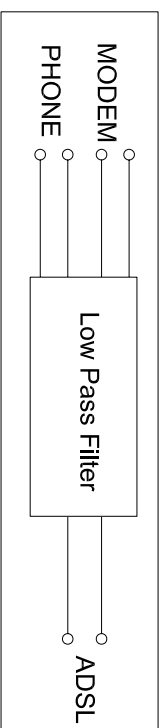
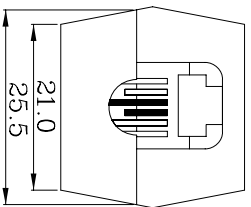
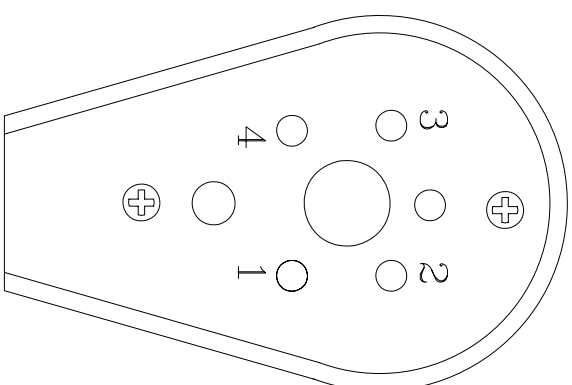
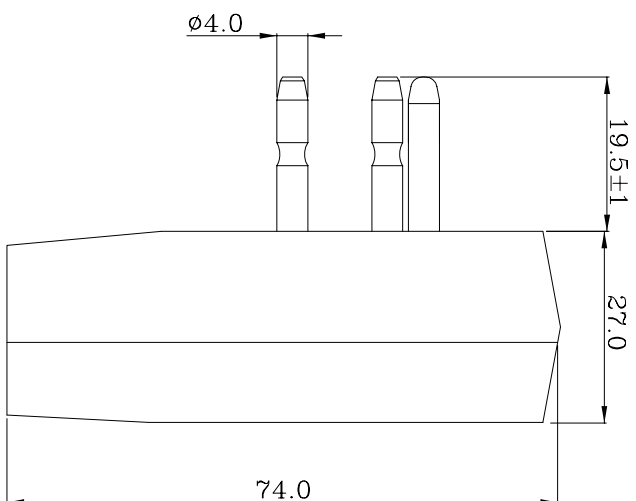
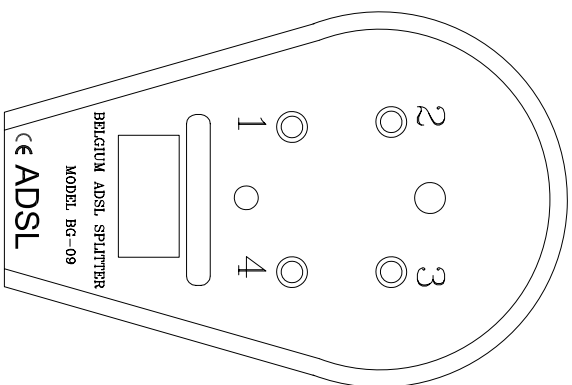


- Note:**
1. The circuit is only a general way in this drawing, can revise the circuit on the basis of the customer's need.
  2. This product can be done for many kinds of colors according to the needs of customer.
  3. "L" shows that takes the length of cable, can change according to customer's enquiry.

DRAW		UNIT		TOLERANCE GENERALES					
APPROVED		CUS.PART NO.		PLASTIC DIMENSION	X	X.X	X.XX	CABLE LENGTH	X
INSPECTED		CUSTOMER		tolerance(±)	1	0.5	0.20	tolerance(±)	2%
TITLE	SL010BX625NXV/A			MM			ECN.NO		
DRAWING NO.		REV	A				NO	SL010A	
							DATE	06-09-19	
				<b>TILE TUNG-LI CO.,</b>				ISO-9001 E200633	

# P1 (BG PLUG)



## Note:

1. The circuit is only a general way in this drawing, can revise the circuit on the basis of the customer's need.
2. This product can be done for many kinds of colors according to the needs of customer.
3. " L " shows that takes the length of cable, can change according to customer's enquiry.

## TOLERANCE GENERALES

PLASTIC DIMENSION	X	X.X	X.XX	CABLE LENGTH	X
tolerance(±)	1	0.5	0.20	tolerance(±)	2%

MM

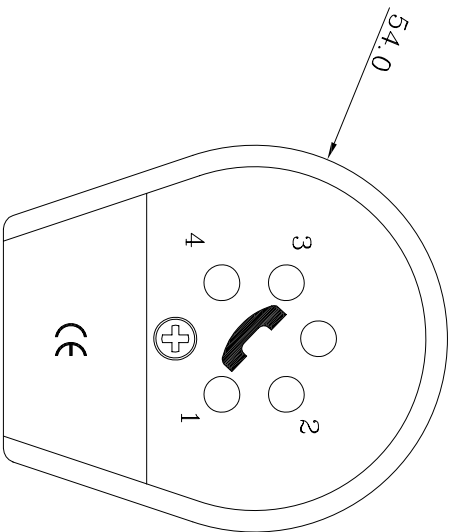
ECN. NO.

DRAW	UNIT
INSPECTED	CUS.PART NO.
APPROVED	CUSTOMER
TITLE	SL010VX625NXV/BPST1P
DRAWING NO.	E0453 REV A

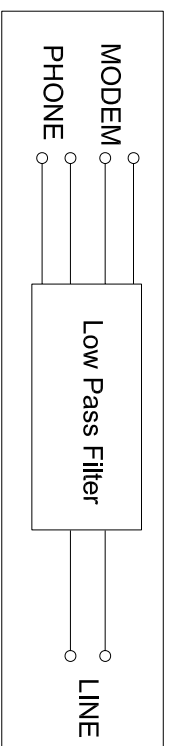
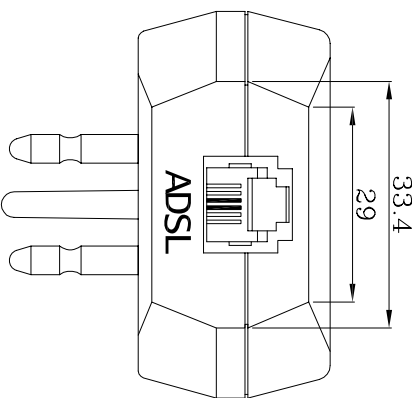
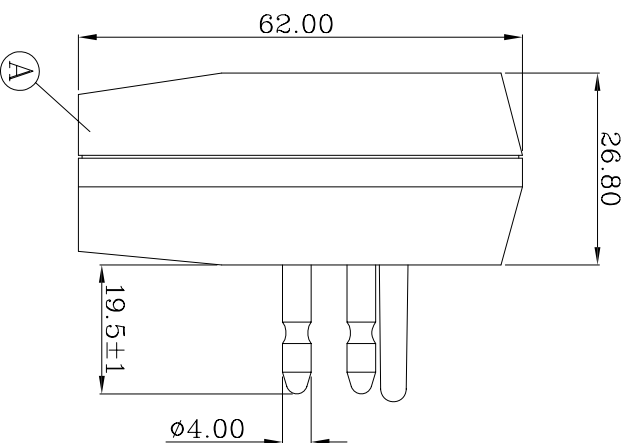
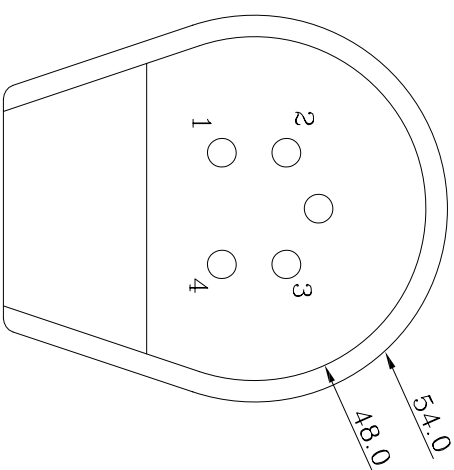
NO. DATE  
SL010

**TTE TUNG-LI CO.,** ISO-9001  
B200633

P2 (BG SOCKET)



P1 (BG PLUG)



**Note:**

1. The circuit is only a general way in this drawing, can revise the circuit on the basis of the customer's need.
2. This product can be done for many kinds of colors according to the needs of customer.
3. "L" shows that takes the length of cable, can change according to customer's enquiry.

TOLERANCE GENERALES				
PLASTIC DIMENSION	X	X.X	X.XX	CABLE LENGTH
tolerance(±)	1	0.5	0.20	tolerance(±)
				2%

DRAW	UNIT	MM	ECN.NO	---
APPROVED	CUS.PART NO.		NO	SL010C
INSPECTED	CUSTOMER		DATE	06-09-19
TITLE	SL010VX621NXV/C			
DRAWING NO.	REV	A		
			<b>TLE TUNG-LI CO.,</b>	ISO-9001 E200633