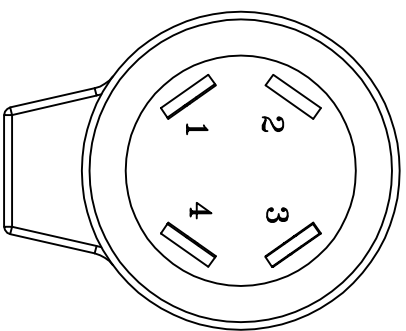
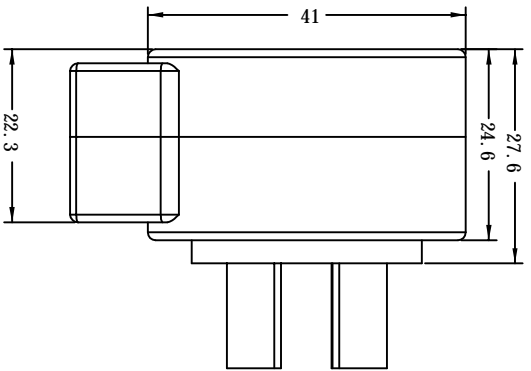
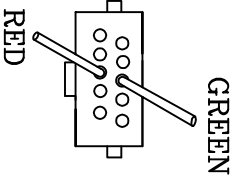
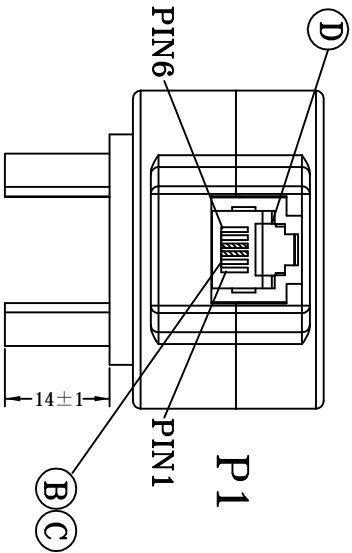


(SD SOCKET)



(SD PLUG)



SD SOCKET	SD PLUG	P1
1' ——— 1	1 ——— 3	RED
4' ——— 4	4 ——— 4	GREEN

Note:

1. The circuit is only a general way in this drawing, can revise the circuit on the basis of the customer's need.
2. This product can be done for many kinds of colors according to the needs of customer.

TOLERANCE GENERALES			
PLASTIC DIMENSION	MM	ECN: NO.	CABLE LENGTH
tolerance(±)	1	0.5	0.20
			tolerance(±)
			2%

DRAWN	INSPECTED	APPROVED	TITLE	DRAWING NO.	UNIT	CUS. PART NO.	CUSTOMER	DATE	NO.	ECN: NO.	FR011
			SD014	E1864	REV	A					
TLE TUNG-LI CO., ISO-9001											
F2006333											