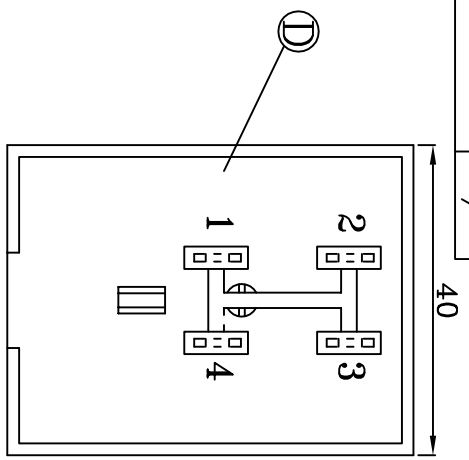
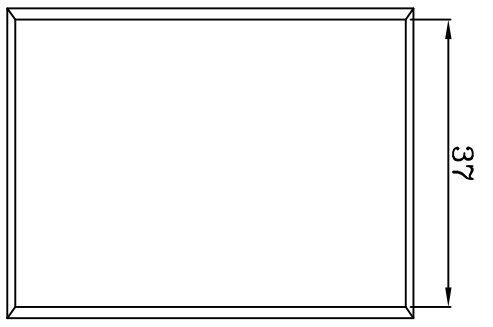
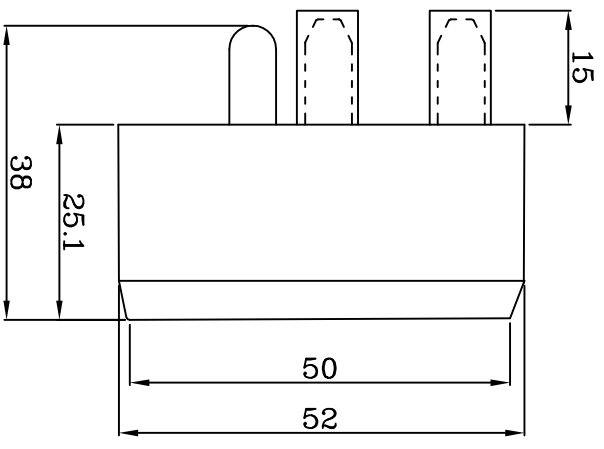


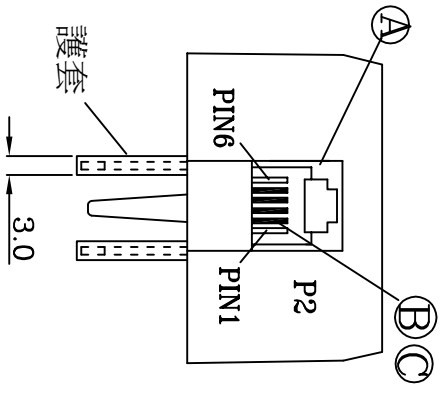
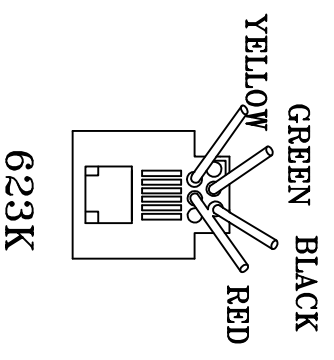
LW-R-06 A/2



P1(POLISH PLUG)



P1	P2
4	2 BLACK
2	3 RED
1	4 GREEN
3	5 YELLOW



Note:

1. The circuit it is only a general way in this drawing, can revise the circuit on the basis of the customer's need.
2. This product can be done for many kinds of colors according to the needs of customer.
3. " L " shows that takes the length of cable, can change according to customer's enquiry.

TOLERANCE GENERALES					
PLASTIC DIMENSION	X	X.X	X.XX	CABLE LENGTH	X
tolerance(±)	1	0.5	0.20	tolerance(±)	2%

DRAW	UNIT	MM	ECN. NO.	
INSPECTED	CUS. PART NO.		NO.	PL003
APPROVED	CUSTOMER		DATE	
TITLE	PL003			
DRAWING NO.	REV	A		

TLE TUNG-LI CO., ISO-9001 B200633