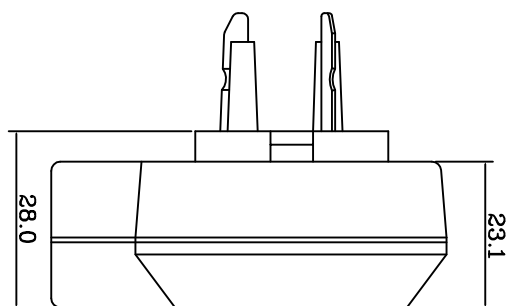
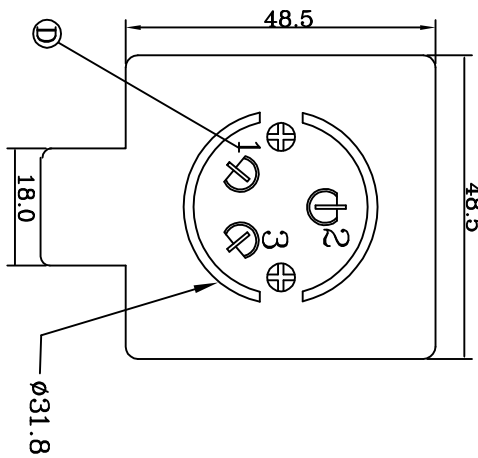
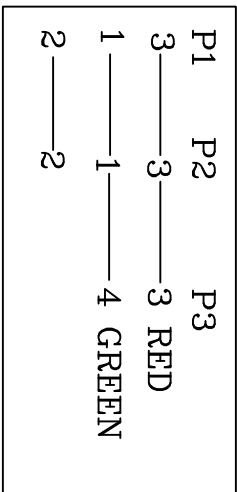
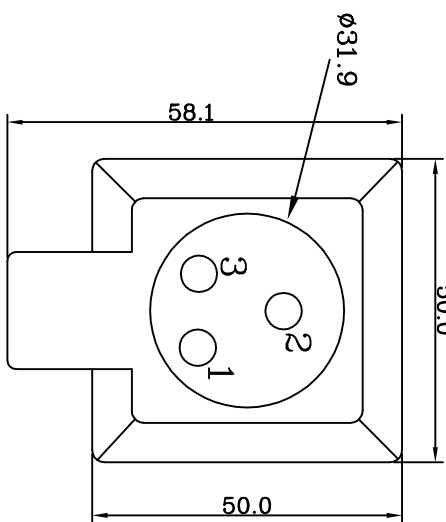


P1 (FINNISH PLUG)

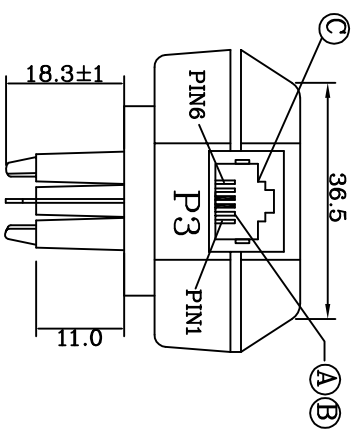


P2 (FINNISH SOCKET)



**Note:**

1. The circuit is only a general way in this drawing, can revise the circuit on the basis of the customer's need.
2. This product can be done for many kinds of colors according to the needs of customer.
3. " L " shows that takes the length of cable, can change according to customer's enquiry.



**TOLERANCE GENERALES**

PLASTIC DIMENSION	X	X X	X X X	CABLE LENGTH	X
tolerance(+)	1	0.5	0.20	tolerance(+)	2%

DRAW	UNIT
INSPECTED	CUS.PART NO.
APPROVED	CUSTOMER
TITLE	FN010WX621UXV
DRAWING NO.	M3204 REV A

MM	ECN. NO.	NO.	FN010
		DATE	

**TLE TUNG-LI CO.,** ISO-9001  
 2200683