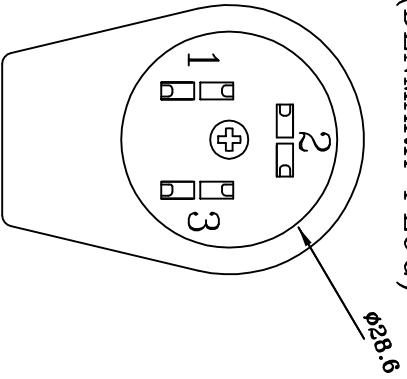
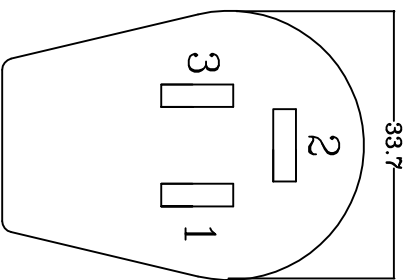
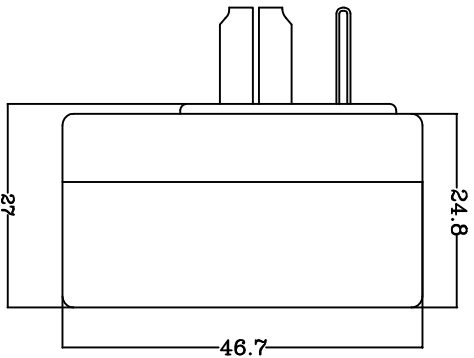


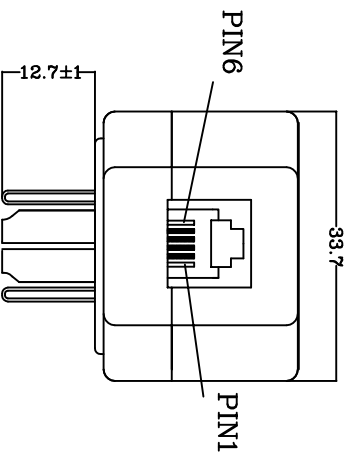
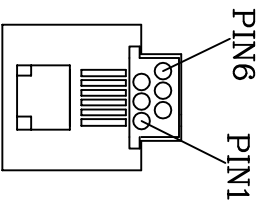
P1(DENMARK PLUG)



P2(DENMARK SOCKET)



P1	P2	P3
1	1	2
3	3	3
2	2	4
		5
		WHITE



Note:

1. The circuit is only a general way in this drawing, can revise the circuit on the basis of the customer's need.
2. This product can be done for many kinds of colors according to the needs of customer.

DRAWN	UNIT
INSPECTED	CUS.PART NO.
APPROVED	CUSTOMER
TITLE	DM010BX642NXH/1128
DRAWING NO.	E2619 REV A

TOLERANCE GENERALES				
PLASTIC DIMENSION	X	X X	X XX	CABLE LENGTH
tolerance(±)	1	0.5	0.20	tolerance(±)
				2%

MM	ECN. NO.	NO.	DATE	DM010
TLE TUNG-LI CO., <small>ISO-9001 E2006933</small>				