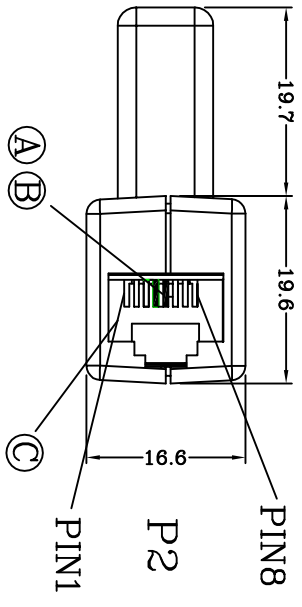
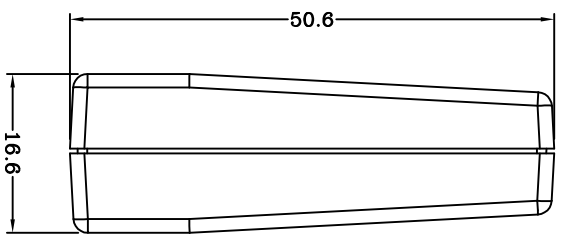
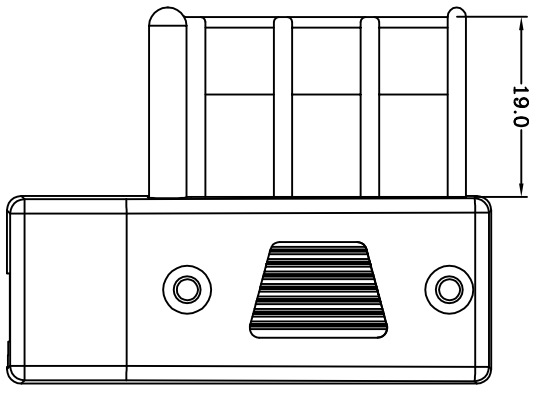


FRENCH PLUG

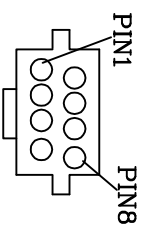
P1



PIN8

P2

PIN1



Note:

1. The circuit is only a general way in this drawing, can revise the circuit on the basis of the customer's need.
2. This product can be done for many kinds of colors according to the needs of customer.

TOLERANCE GENERALES					
PLASTIC DIMENSION	X	X X	X XX	CABLE LENGTH	X
tolerance(±)	1	0.5	0.20	tolerance(±)	2%

DRAW	UNIT	MM	ECN. NO.	
INSPECTED	CUS. PART. NO.		NO.	FR011
APPROVED	CUSTOMER		DATE	
TITLE	FR025			
DRAWING NO.	E2136	REV	A	

**TLE TUNG-LI CO.,** ISO-9001  
E200633