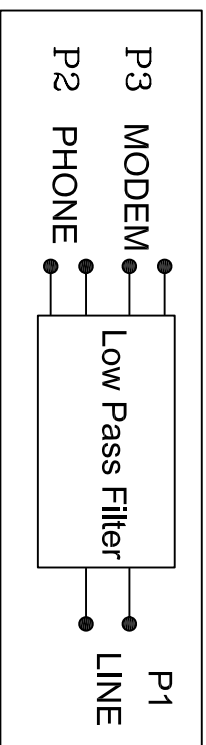
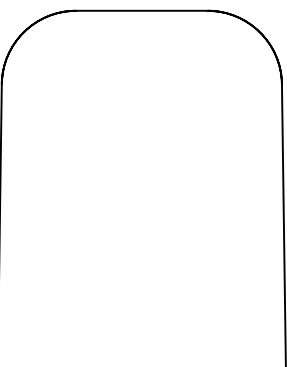
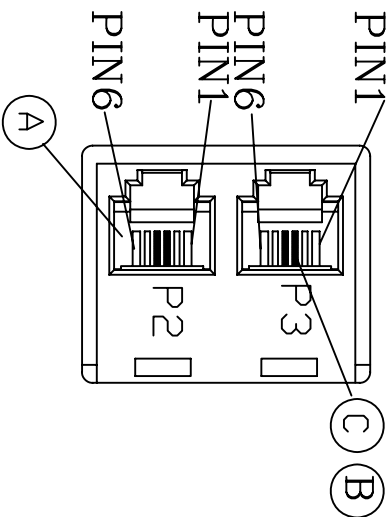
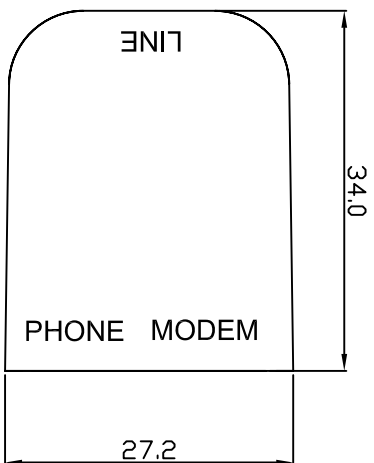
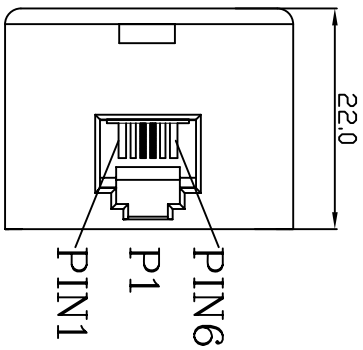


LW-R-06 A/0

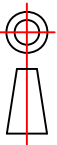
REVISIONS		DATE	APPROVED
ZONE	REV	DESCRIPTION	
A		RELEASE	09.05.13 Ann



L1, L2: 色環電感 10mH±10% 1/2W  
 C1: 金屬膜電容 333J/400V P=7.5MM

ITEM NO	ITEM	DESCRIPTION	VENDOR	UNIT	QTY
C	GOLD WIRE	13MM;15MM 3U"(GREEN PART)		PCS	6
B	WIRE	UL#1061 26AWG 50MM (GREEN PART)		PCS	6
A	JACK	US JACK 6P2C ABS 94V-0 IVORY(GREEN PART)		PCS	3

General Tolerance  
 DIMENSION:  
 X ±1  
 X.X ±0.5  
 X.XX ±0.2  
 Cable Length: ±2%  
 ANGLE: ±5°



Customer Code	001	<b>TLE TUNG-LI, ISO-9001 E200633</b>
Drawing No		
Publish NO.	A	Customer P. N.
Sheet:	1 OF 1	Model No. SL070
Title: SL070VX621N00		
Approve By	Inspected By	Checked By
Drawn By	Date	SCALE: NONE
Star	09.05.06	Units: mm