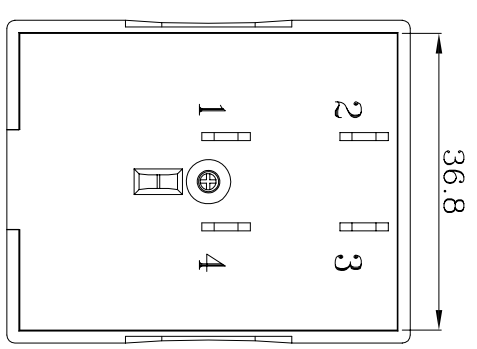
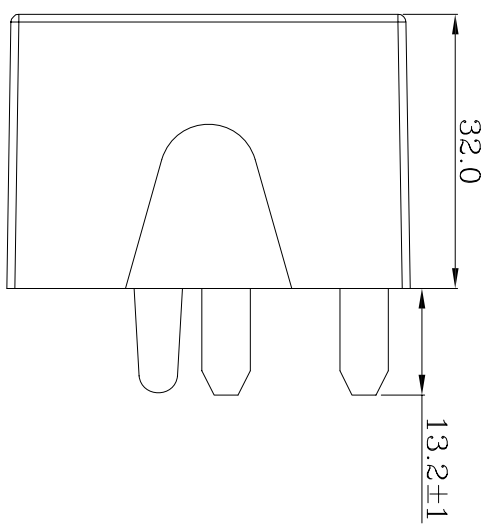
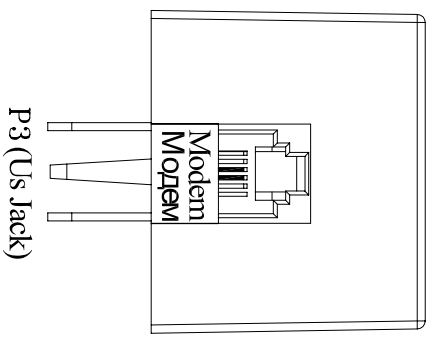


P2(POLISH SOCKET)

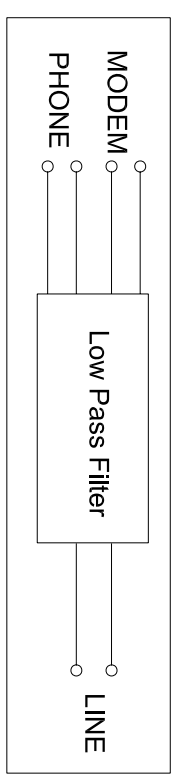


P1(POLISH PLUG)

Note: All marking color: blue



P3(Us Jack)



Note:
 1. The circuit is only a general way in this drawing, can revise the circuit on the basis of the customer's need.
 2. This product can be done for many kinds of colors according to the needs of customer.

TOLERANCE GENERALES					
PLASTIC DIMENSION	X	X.X	X.XX	CABLE LENGTH	X
tolerance(±)	1	0.5	0.20	tolerance(±)	2%

DRAW	UNIT	MM	ECN.NO	NO.	SL050
INSPECTED	CUS.PART NO.				
APPROVED	CUSTOMER			DATE	
TITLE	SL050AXX625NXV				
DRAWING NO.	M7084	REV	A		

TLE TUNG-LI CO., ISO-9001, B200633